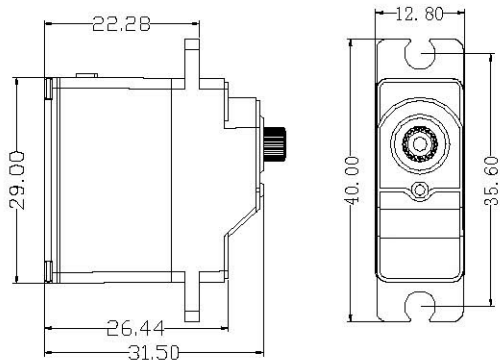


# SERVO RS-3 SPECIFICATIONS



<b>Operating Voltage:</b>		4.8~6.0V
<b>Stall Torque:</b>	4.8V	2.2 kg.cm(30.8 oz/in.)
	6.0V	2.5 kg.cm(35.0 oz/in.)
<b>Operating Speed:</b>	4.8V	0.11 sec/60 at no load
	6.0V	0.09 sec/60 at no load
<b>Grade:</b>		Hobby
<b>Weight:</b>		16.2g (0.56oz.)