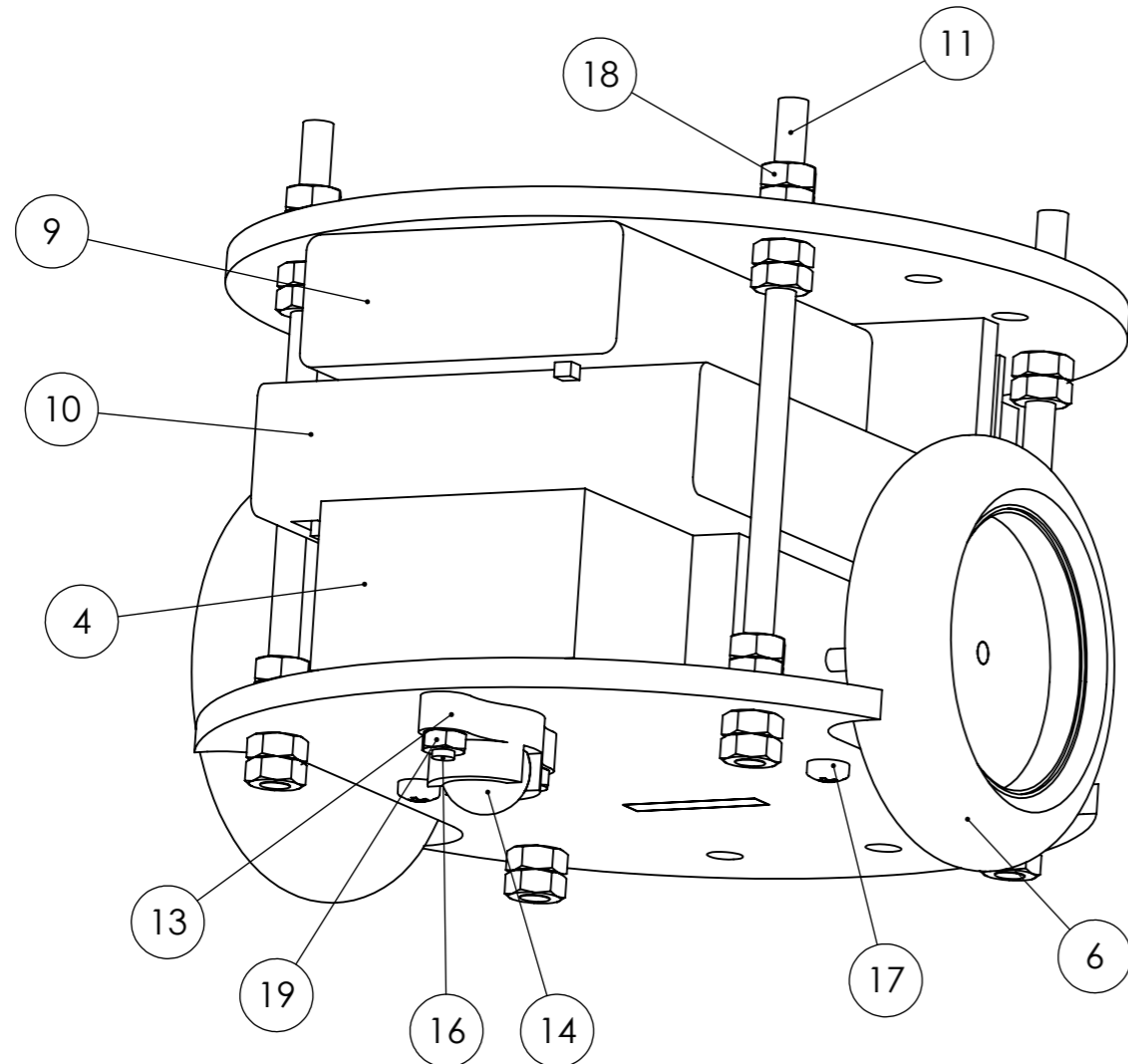
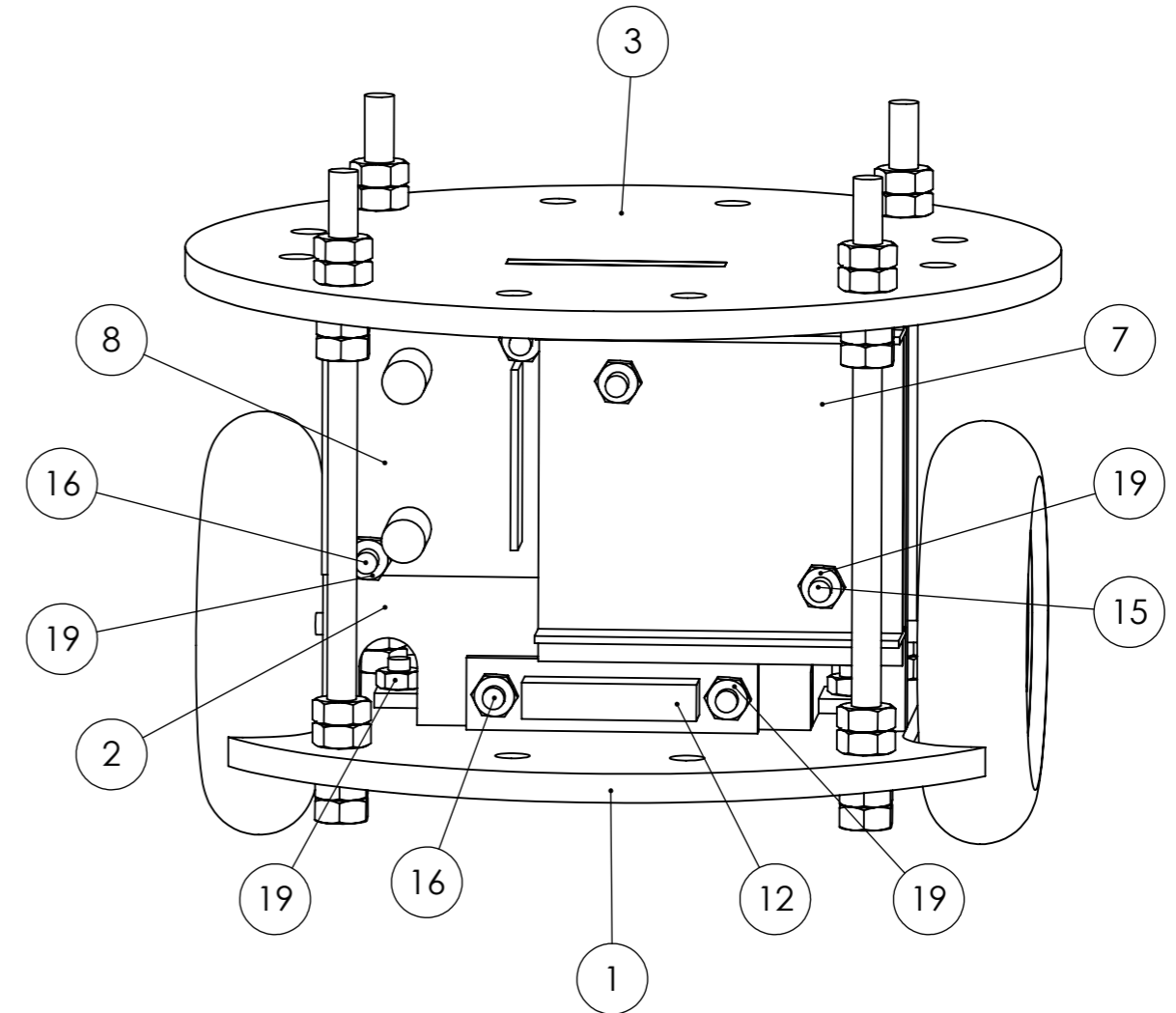
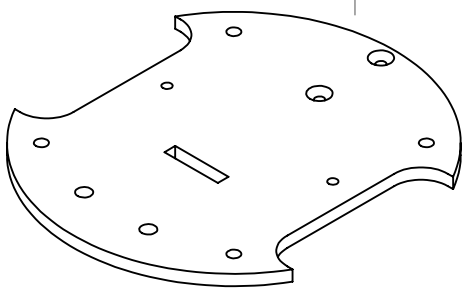
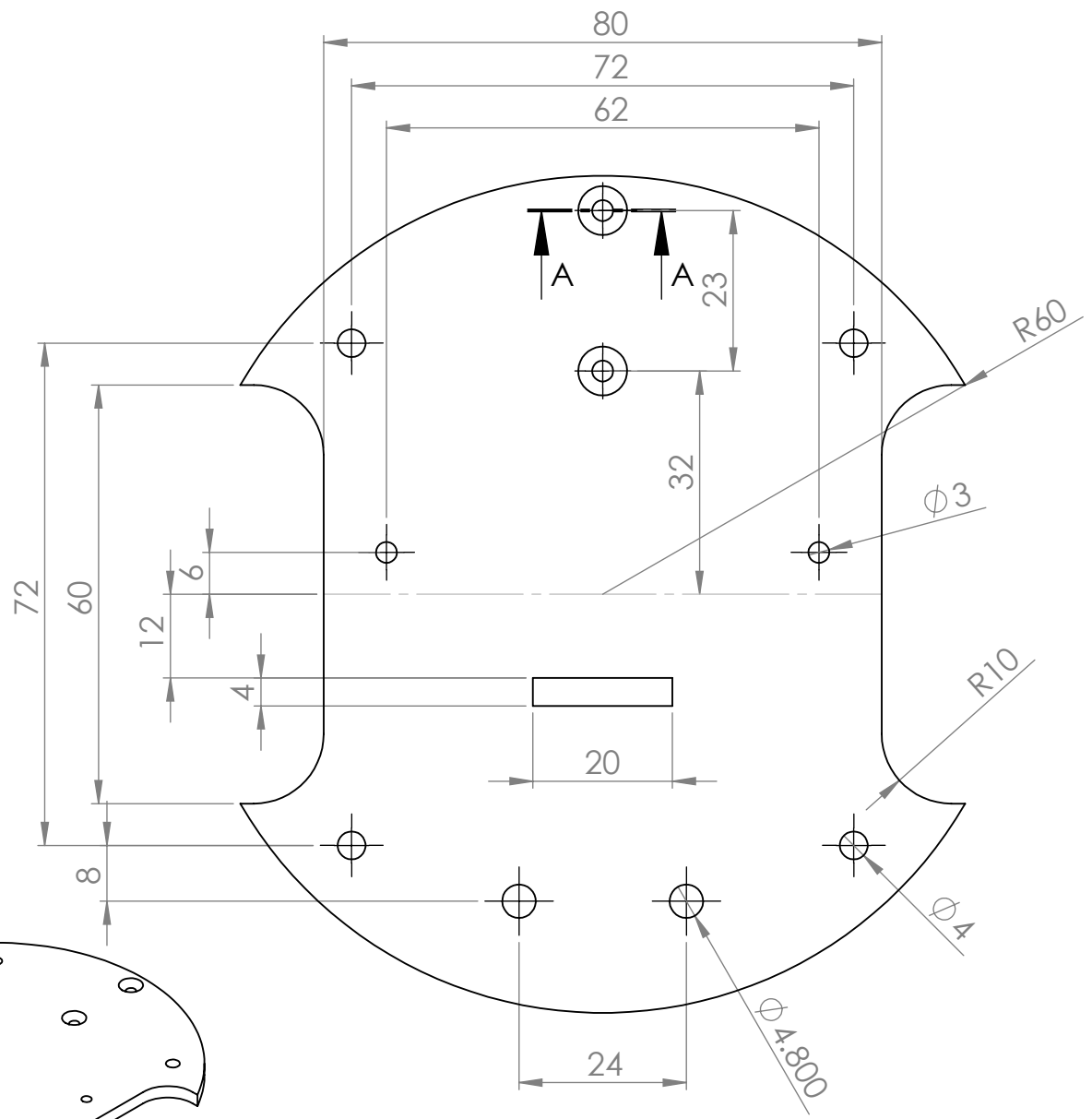
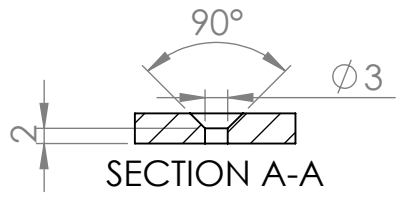
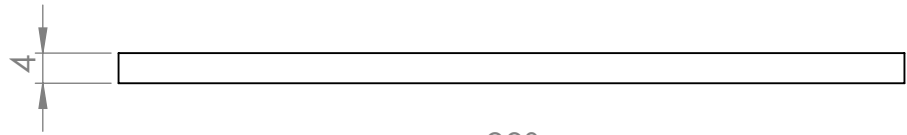


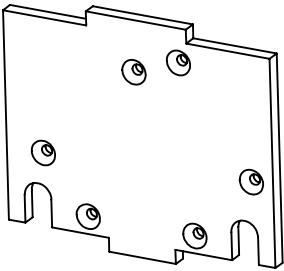
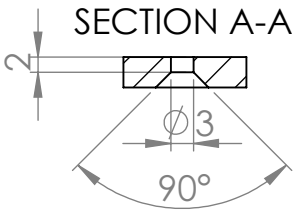
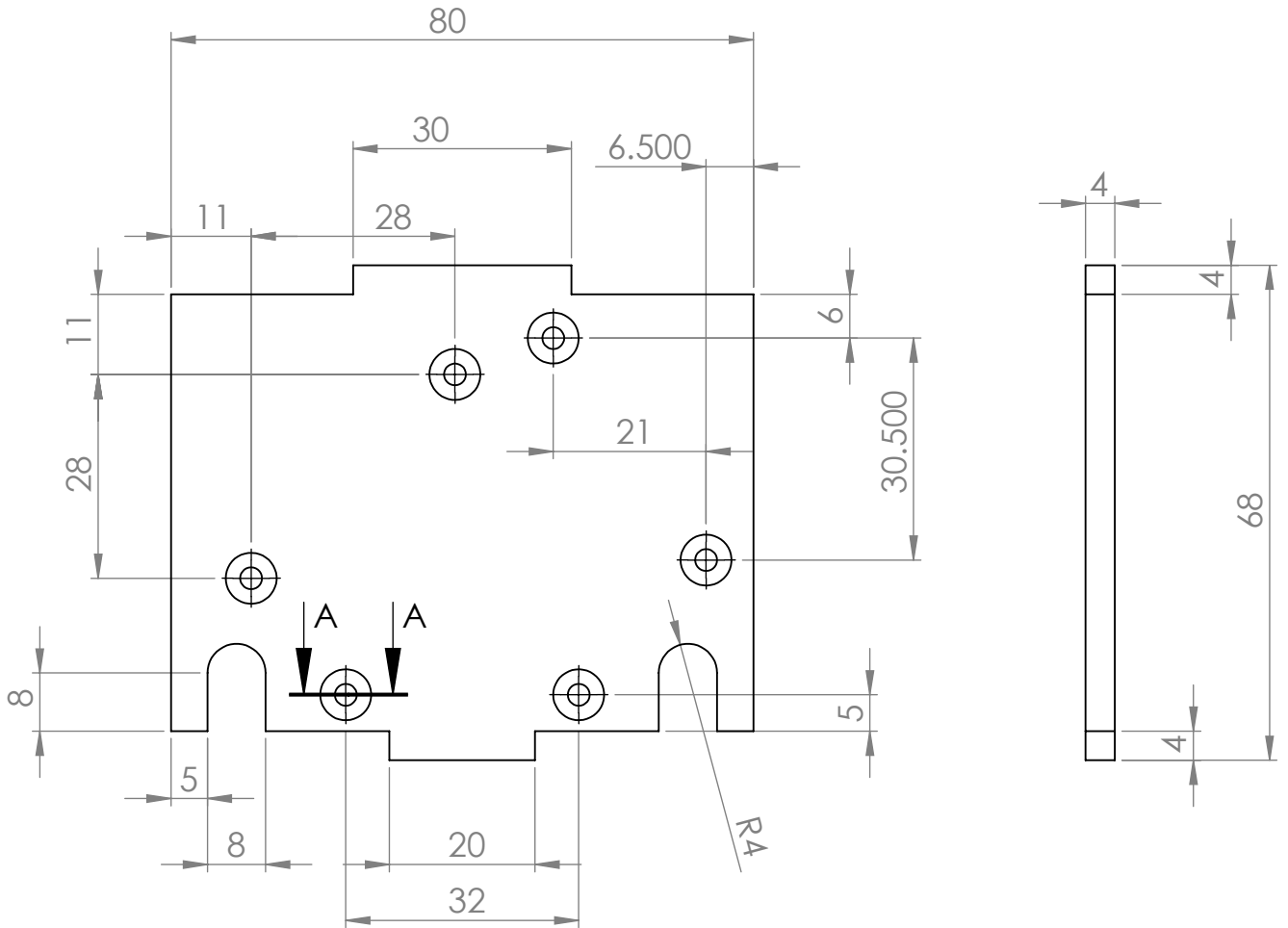
ITEM NO.	PART NUMBER	QTY.
1	base	1
2	wall	1
3	cover	1
4	motor	1
6	wheel	2
7	mcu	1
8	h_bridge	1
9	batteries_3	1
10	batteries_4	1
11	bar	4
12	power_strip	1
13	caster	1
14	caster_ball	1
15	ISO 7046-1 - M3 x 16 - Z -- - 16N	2
16	ISO 7046-1 - M3 x 12 - Z -- - 12N	6
17	ISO 7045 - M3 x 10 - Z --- 10N	2
18	B18.2.4.1M - Hex nut, Style 1, M4 x 0.7 --D-N	32
19	B18.2.4.1M - Hex nut, Style 1, M3 x 0.5 --D-N	10



UNLESS OTHERWISE SPECIFIED: DIMENSIONS ARE IN MILLIMETERS SURFACE FINISH: TOLERANCES: LINEAR: ANGULAR:				FINISH:		DEBUR AND BREAK SHARP EDGES		DO NOT SCALE DRAWING		REVISION	
DRAWN Karl Kangur				SIGNATURE		DATE 16/9/12		TITLE: <h1>Assembly</h1>			
CHK'D				APPV'D		MFG		Q.A		MATERIAL:	
								DWG NO. <h1>A01</h1>		A3	
						WEIGHT:		SCALE:1:1		SHEET 1 OF 1	



UNLESS OTHERWISE SPECIFIED: DIMENSIONS ARE IN MILLIMETERS SURFACE FINISH: TOLERANCES: LINEAR: ANGULAR:				FINISH:		DEBUR AND BREAK SHARP EDGES		DO NOT SCALE DRAWING		REVISION	
DRAWN				Karl Kangur		DATE		9/11/12		TITLE:	
CHK'D										Base	
APPV'D											
MFG										DWG NO.	
Q.A						MATERIAL:				P01	
										A4	
						WEIGHT:				SCALE:1:1	
										SHEET 1 OF 1	



UNLESS OTHERWISE SPECIFIED:  
 DIMENSIONS ARE IN MILLIMETERS  
 SURFACE FINISH:  
 TOLERANCES:  
 LINEAR:  
 ANGULAR:

FINISH:

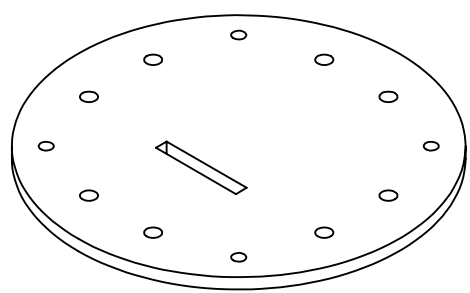
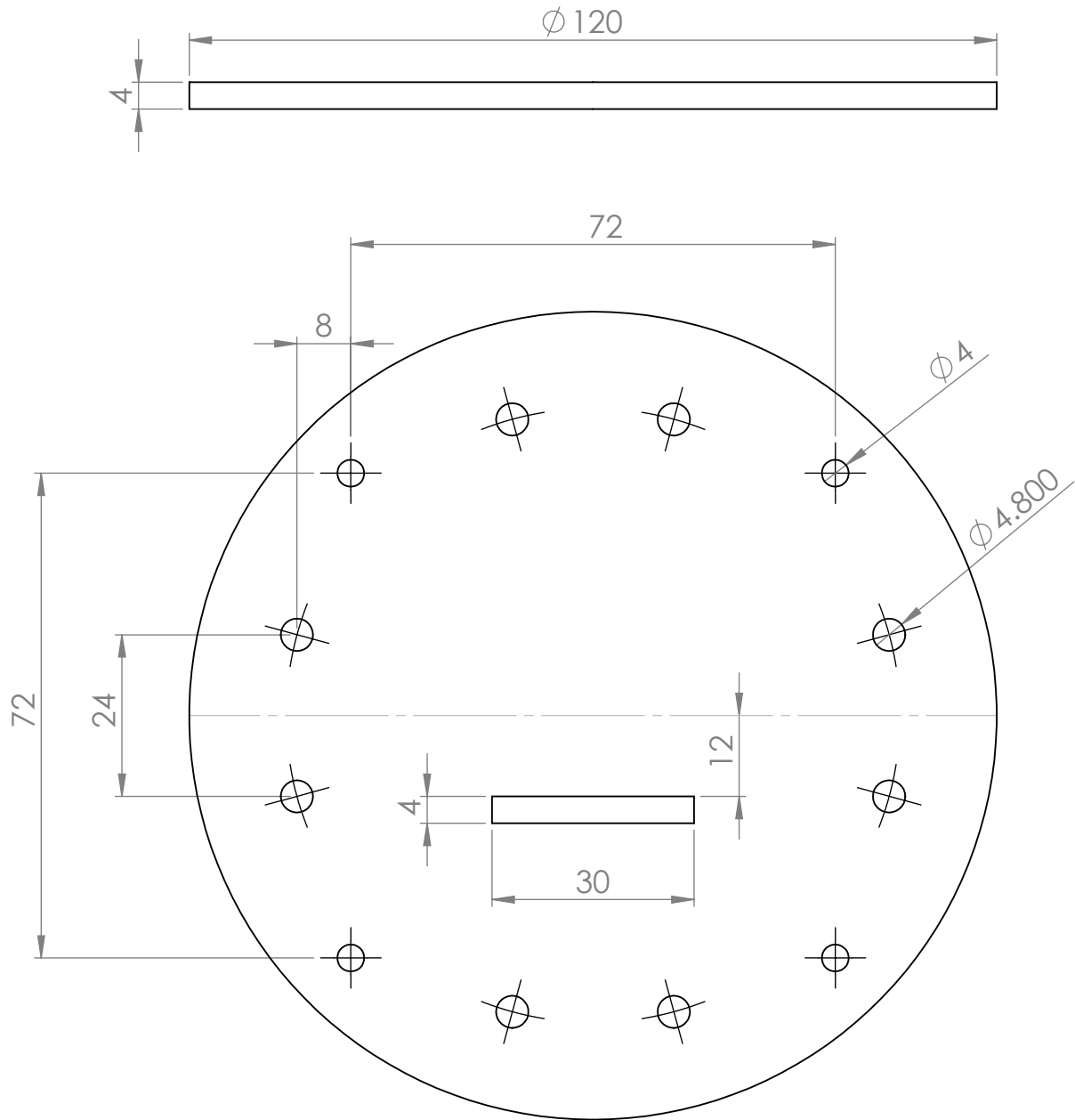
DEBUR AND  
 BREAK SHARP  
 EDGES

DO NOT SCALE DRAWING

REVISION

	NAME	SIGNATURE	DATE		
DRAWN	Karl Kangur		9/11/12		
CHK'D					
APPV'D					
MFG					
Q.A				MATERIAL:	
				WEIGHT:	

TITLE:		<h1>Wall</h1>	
DWG NO.			
		<h2>P02</h2>	A4
SCALE:1:1		SHEET 1 OF 1	



UNLESS OTHERWISE SPECIFIED: DIMENSIONS ARE IN MILLIMETERS SURFACE FINISH: TOLERANCES: LINEAR: ANGULAR:				FINISH:		DEBUR AND BREAK SHARP EDGES		DO NOT SCALE DRAWING		REVISION	
DRAWN				SIGNATURE		DATE		TITLE:			
Karl Kangur						9/11/12		Cover			
CHK'D											
APPV'D								DWG NO. P03			
MFG											
Q.A						MATERIAL:		A4			
						WEIGHT:		SCALE:1:1		SHEET 1 OF 1	